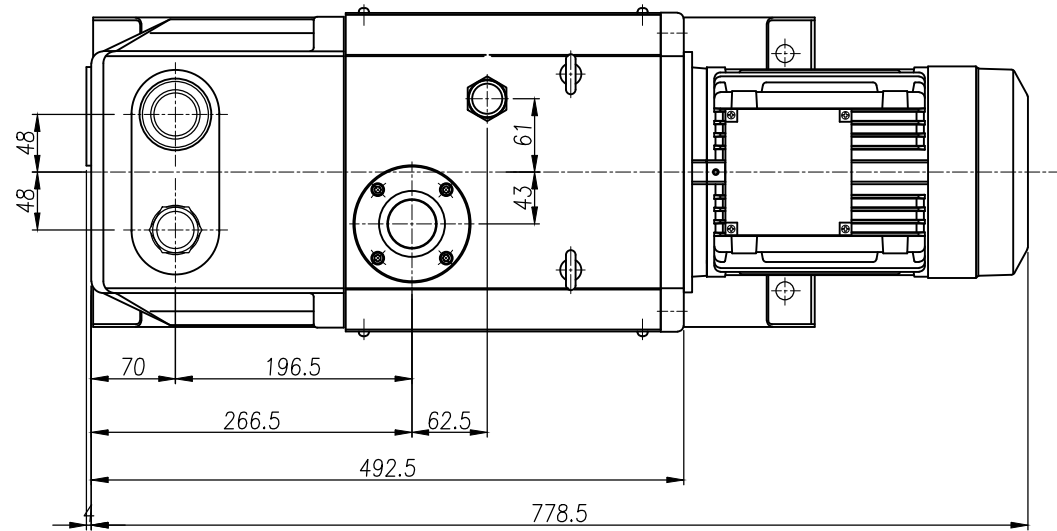
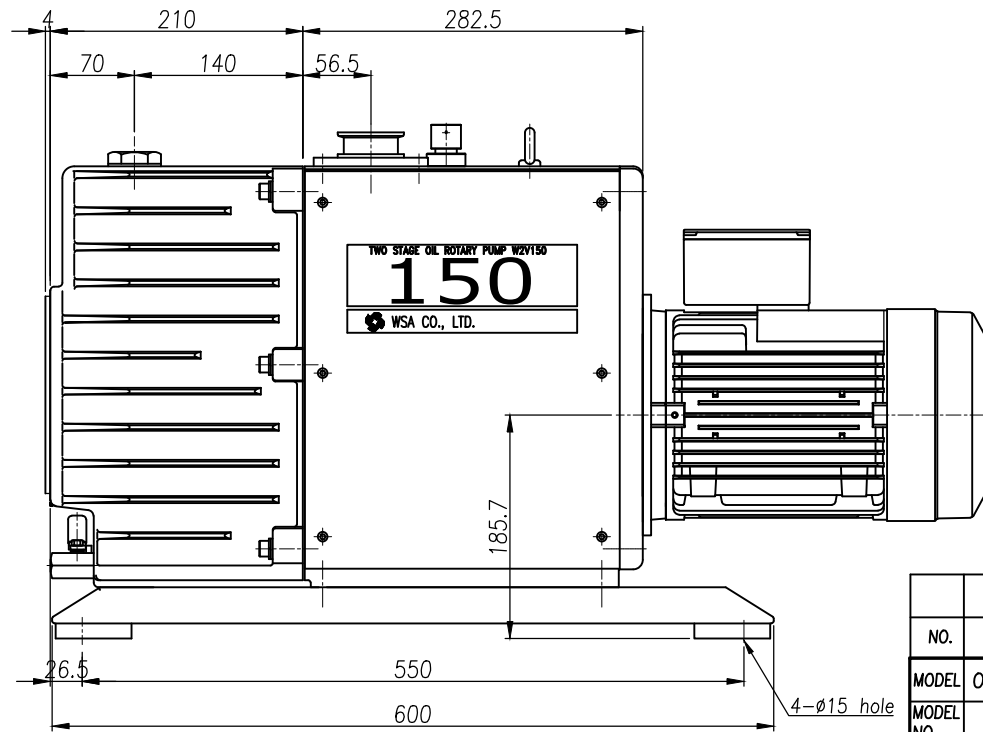
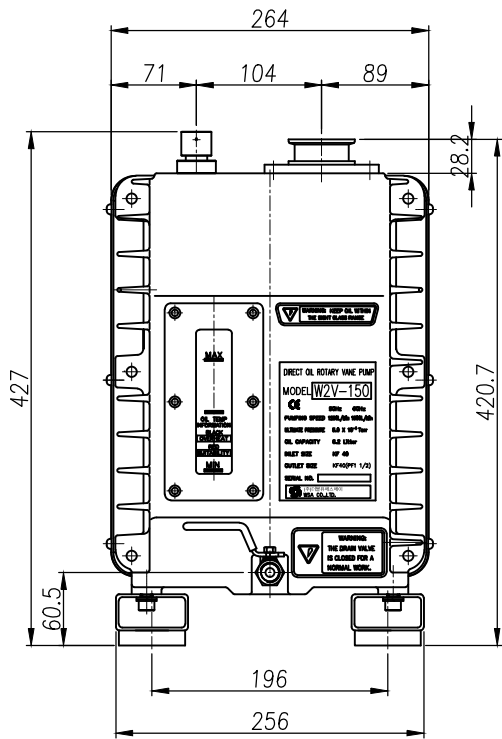


W2V150



REVISION	DATE	DESCRIPTION
1		



* 3 PHASE MOTOR

DIMENSIONS					
NO.	PART NAME	MATERIAL	QTY	REMARK	
MODEL	OIL ROTARY VACUUM PUMP	DRAWN	DESIGNED	CHECKED	APPROVED
MODEL NO.	W2V150				
DWG NO.	W2V150-S	CUSTOMER	STANDARD		
(주)더블유에스에이 WSA CO., LTD.			DATE	SCALE(A4)	
			JUL. 14 2014	1/7	